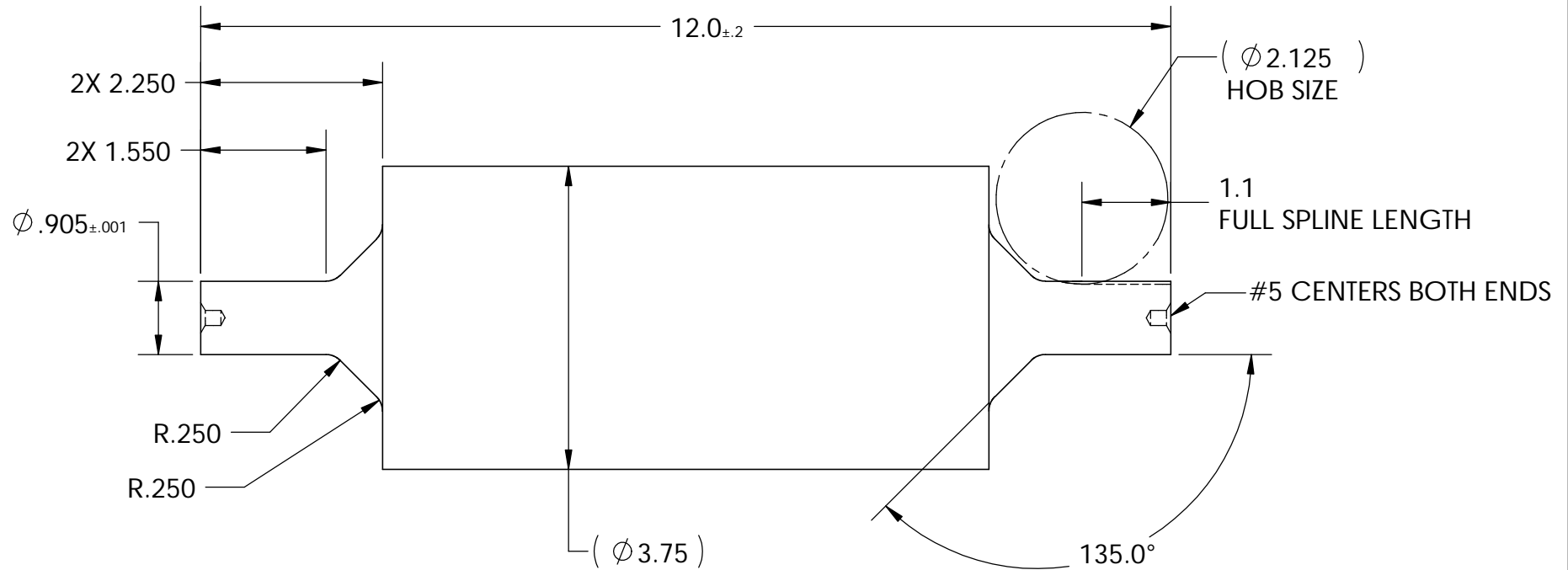


SPLINE DATA

NUMBER OF KEYS 28
 KEY WIDTH .048
 PITCH DIAMETER .875
 MAJOR DIAMETER .906/.904
 INCLUDED ANGLE 68°
 MINOR DIAMETER .8350
 BALL DIAMETER .063
 DIM. OVER BALLS .9759/.9737
 ROOT RADIUS ~.010

REVISIONS		DATE	APPROVED
REV.	DESCRIPTION		
A	ADDED SPLINE DATA, $\phi .905 \pm .001$ WAS $\phi 1.060 \pm .002$, 12.O WAS 10.5	12/12/04	
B	1.550 WAS 1.375	12/23/04	



Paradigm Motorsports

UNLESS SPECIFIED OTHERWISE
 DIMENSIONS ARE IN INCHES
 TOLERANCES ARE:
 DECIMALS ANGLES
 .XX $\pm .01$ $\pm 2^\circ$
 .XXX $\pm .005$

DRAWN: D. Cook

USED ON

SCALE 1:2

Part Number

REV.

DATE: 10/17/04

MATERIAL 4340 ANNEALED

SHEET 1 OF 1

32007

B

1 3/4 TORSEN SPLINED BAR