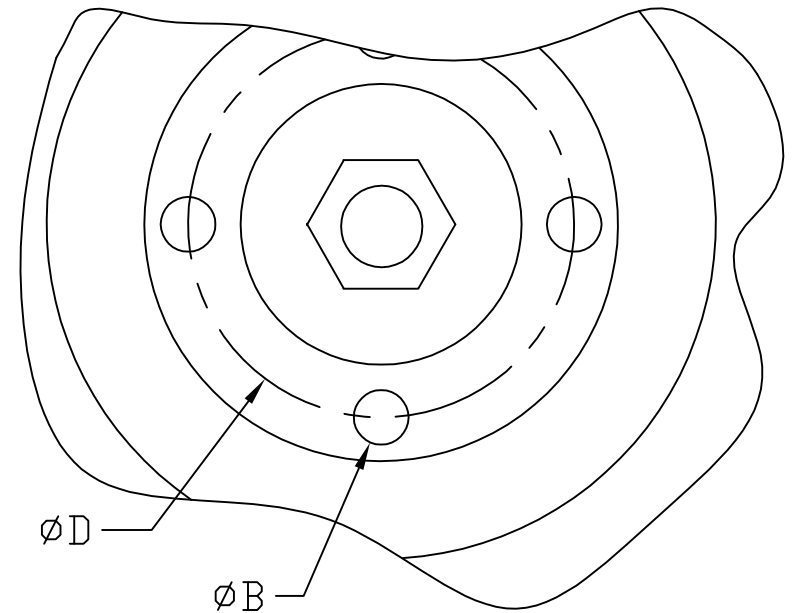
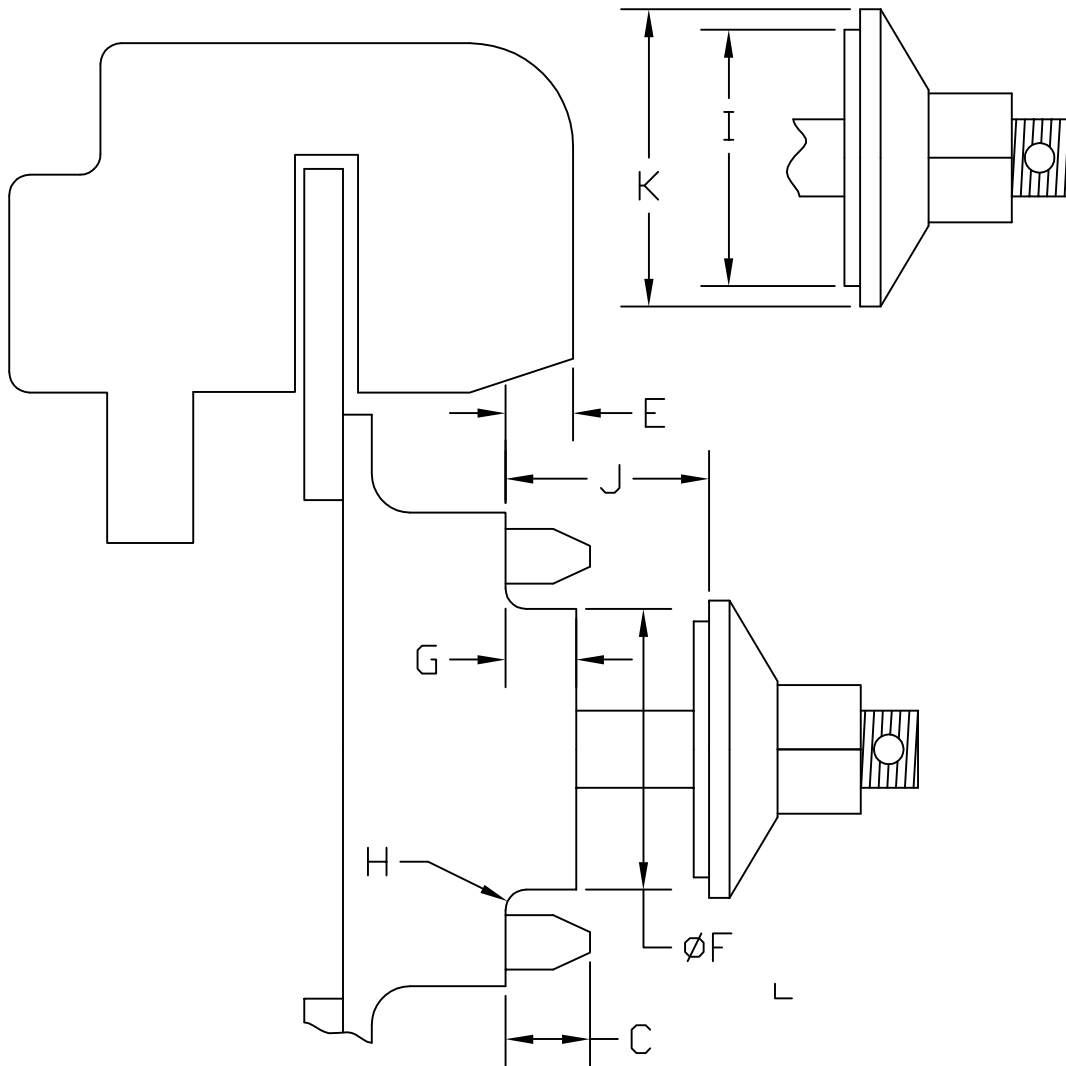


- \_\_\_\_\_ A Number of Pins
- \_\_\_\_\_ B Pin Diameter
- \_\_\_\_\_ C Pin Length
- \_\_\_\_\_ D Pin Base Circle
- \_\_\_\_\_ E Caliper Clearance
- \_\_\_\_\_ F Hub Pilot Diam.
- \_\_\_\_\_ G Hub Pilot Length
- \_\_\_\_\_ H Hub Pilot Radius
- \_\_\_\_\_ I Mounting Nut Pilot  $\phi$
- \_\_\_\_\_ J Clamping Length
- \_\_\_\_\_ K Mounting Nut  $\square$



Fax completed sheet to (831) 301 6175

Pit wheel 'clamping length' can be thicker than standard wheels, back the nut out until it almost touches safety pin before measuring. Hole sizes in pit wheels are usually pin $\phi$  +.015  
 Check all dimensions at both the front and back of the car.